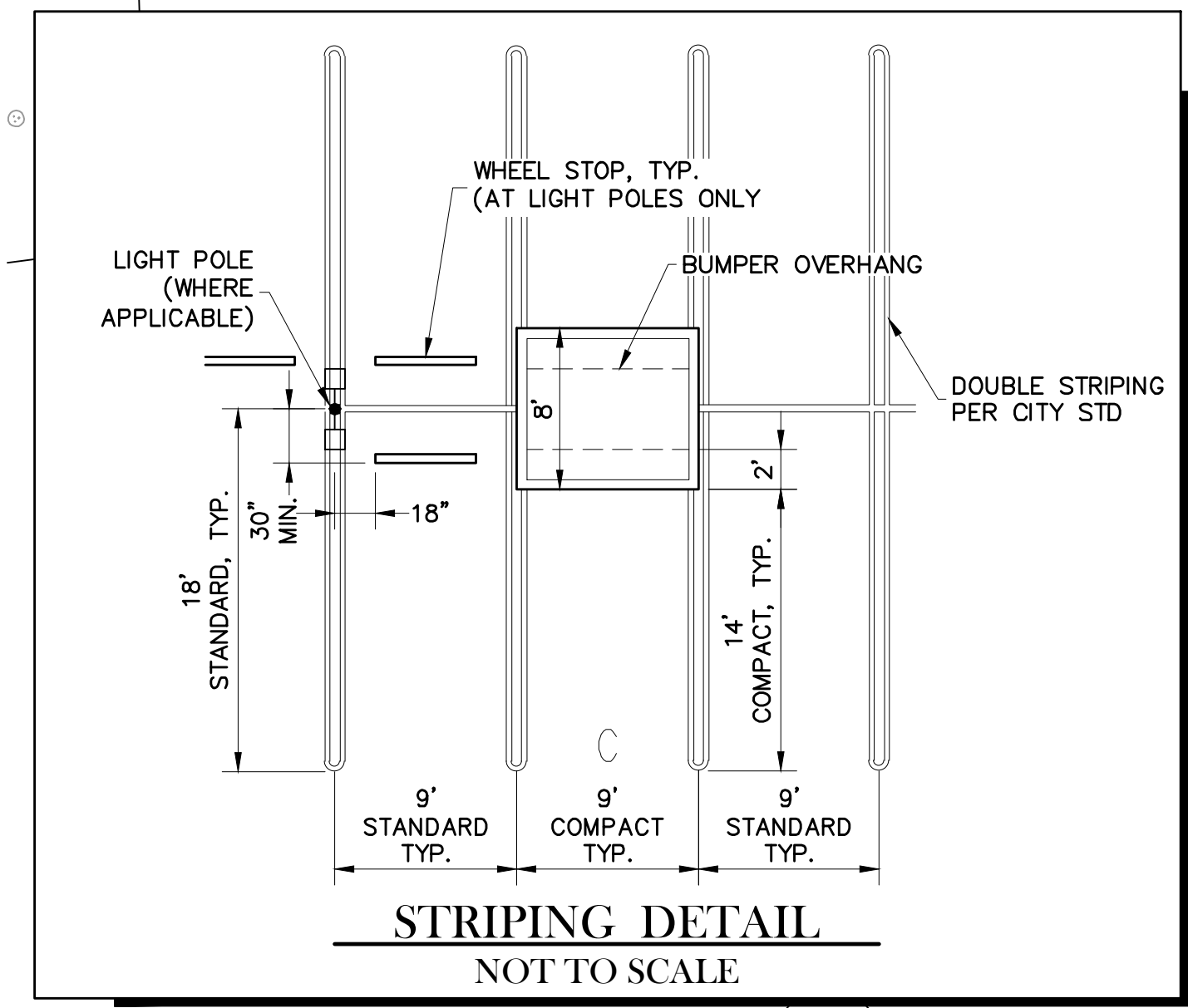
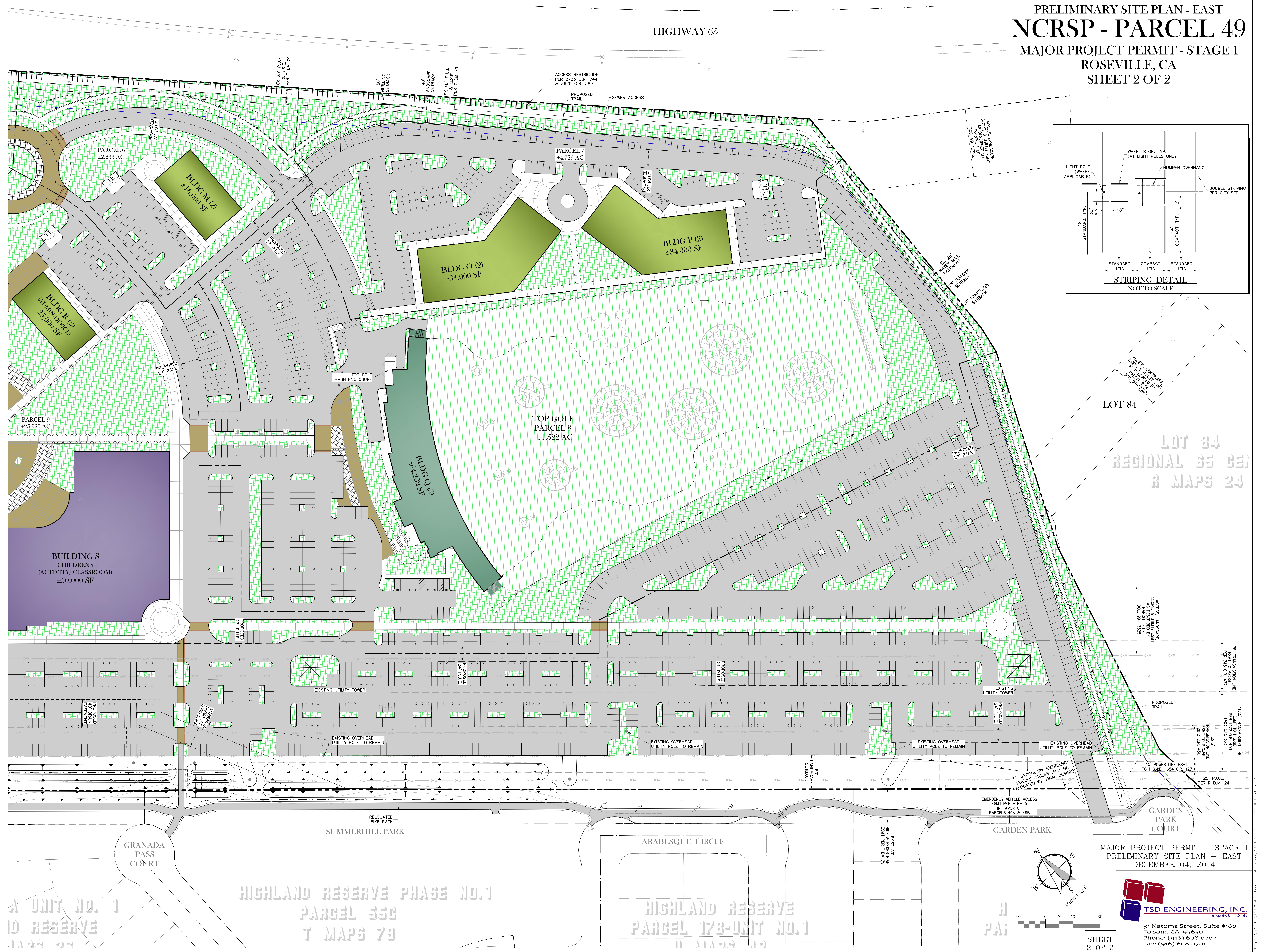
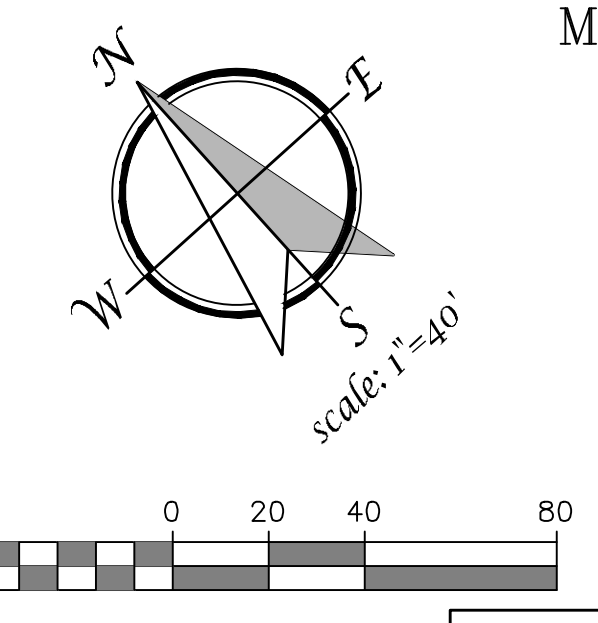


PRELIMINARY SITE PLAN - EAST
NCRSP - PARCEL 49
 MAJOR PROJECT PERMIT - STAGE 1
 ROSEVILLE, CA
 SHEET 2 OF 2



LOT 84
 LOT 34
 REGIONAL 65 GEN
 R MAPS 24



MAJOR PROJECT PERMIT - STAGE 1
 PRELIMINARY SITE PLAN - EAST
 DECEMBER 04, 2014

TSD ENGINEERING, INC.
 expect more.
 31 Natoma Street, Suite #160
 Folsom, CA 95630
 Phone: (916) 608-0707
 Fax: (916) 608-0701

SHEET
 2 OF 2

UNIT NO. 1
 ID RESERVE

HIGHLAND RESERVE PHASE NO.1
 PARCEL 55C
 T MAPS 79

HIGHLAND RESERVE
 PARCEL 173-UNIT NO.1

H
 PAI